

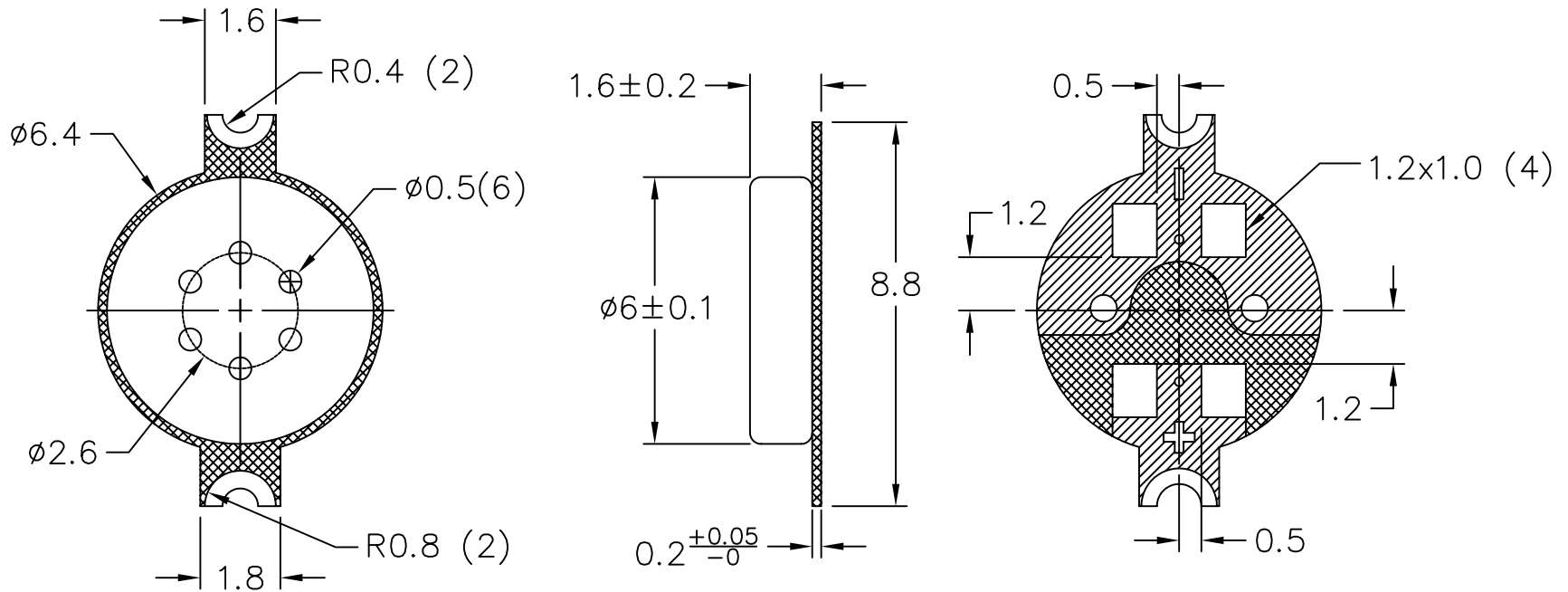
THIS DOCUMENT CONTAINS DATA PROPRIETARY TO PROJECTS UNLIMITED, INC. ANY USE OR REPRODUCTION, IN ANY FORM, WITHOUT PRIOR WRITTEN PERMISSION OF PROJECTS UNLIMITED, INC. IS PROHIBITED.
© 2005, Projects Unlimited Inc.

SPECIFICATIONS

PARAMETERS	VALUES	UNITS
DIRECTIVITY	OMNI	-
SENSITIVITY	-44±3	dB
STANDARD OPERATING VOLTAGE	3	Vdc
MAX OPERATING VOLTAGE	10	Vdc
CURRENT CONSUMPTION (MAX)	0.5	mA
IMPEDANCE	2.2	kOhm
SIGNAL TO NOISE RATIO (MIN.)	60	dB
TERMINAL	SMT	-
INTERNAL CAPACITOR	33&10	pF

REVISIONS

LTR	DESCRIPTION	DATE	APPROVED
-	RELEASED FROM ENGINEERING	9/6/06	



NOTES:

1. ALL DIMENSIONS ARE IN MILLIMETERS.
2. SPECIFICATION SUBJECT TO CHANGE OR WITHDRAWAL WITHOUT NOTICE.
3. THIS PART IS RoHS 2002/95/EC COMPLIANT.
4. REFLOWABLE TO 260°C, PARTS ARE NOT WASHABLE.

FILE NAME
POS-1644R-C3310-R.DWG

UNLESS OTHERWISE SPECIFIED:
DIMENSIONS ARE IN
MILLIMETERS, TOLERANCES ARE ±0.5 AND
ANGLES ARE ±3°.



projects®
unlimited

Dayton, Ohio

MICROPHONE

APPROVALS	DATE
DRAWN <i>J.D.</i>	9/06
CHECKED <i>B.R.</i>	9/06
APPROVED <i>R.W.</i>	9/06

SIZE
A

DRAWING NO.
POS-1644R-C3310-R

DO NOT SCALE DRAWING

SCALE: N.T.S.

SHEET 1 OF 1